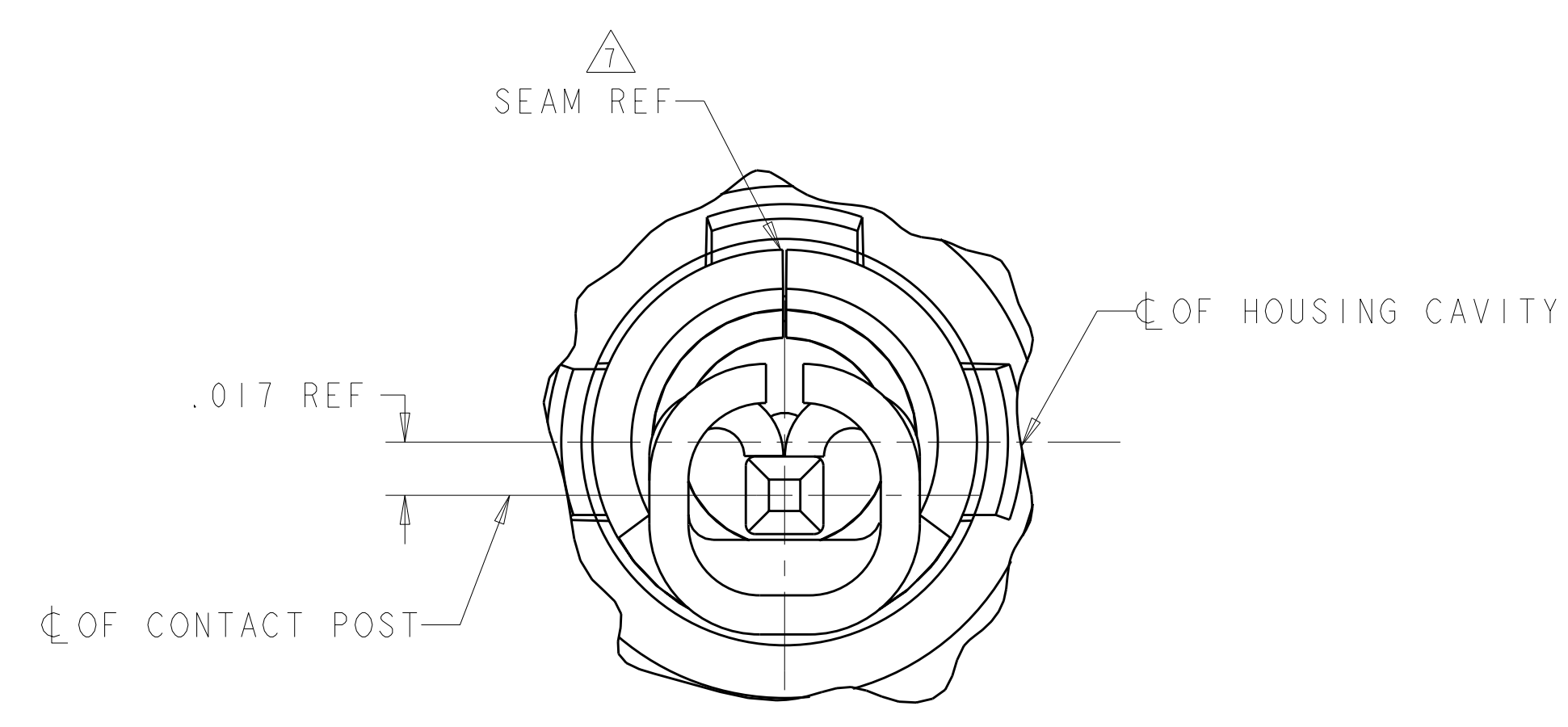
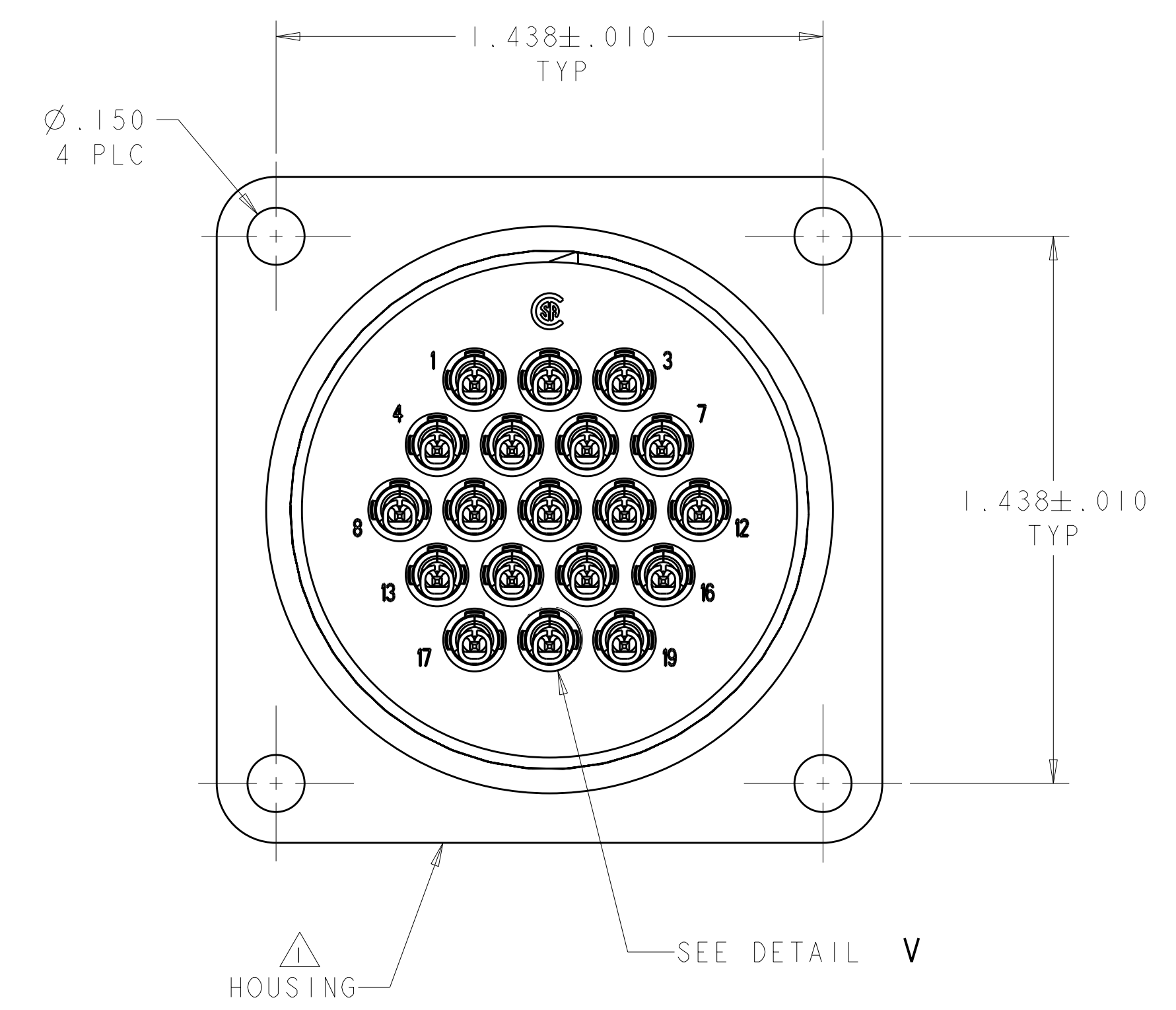
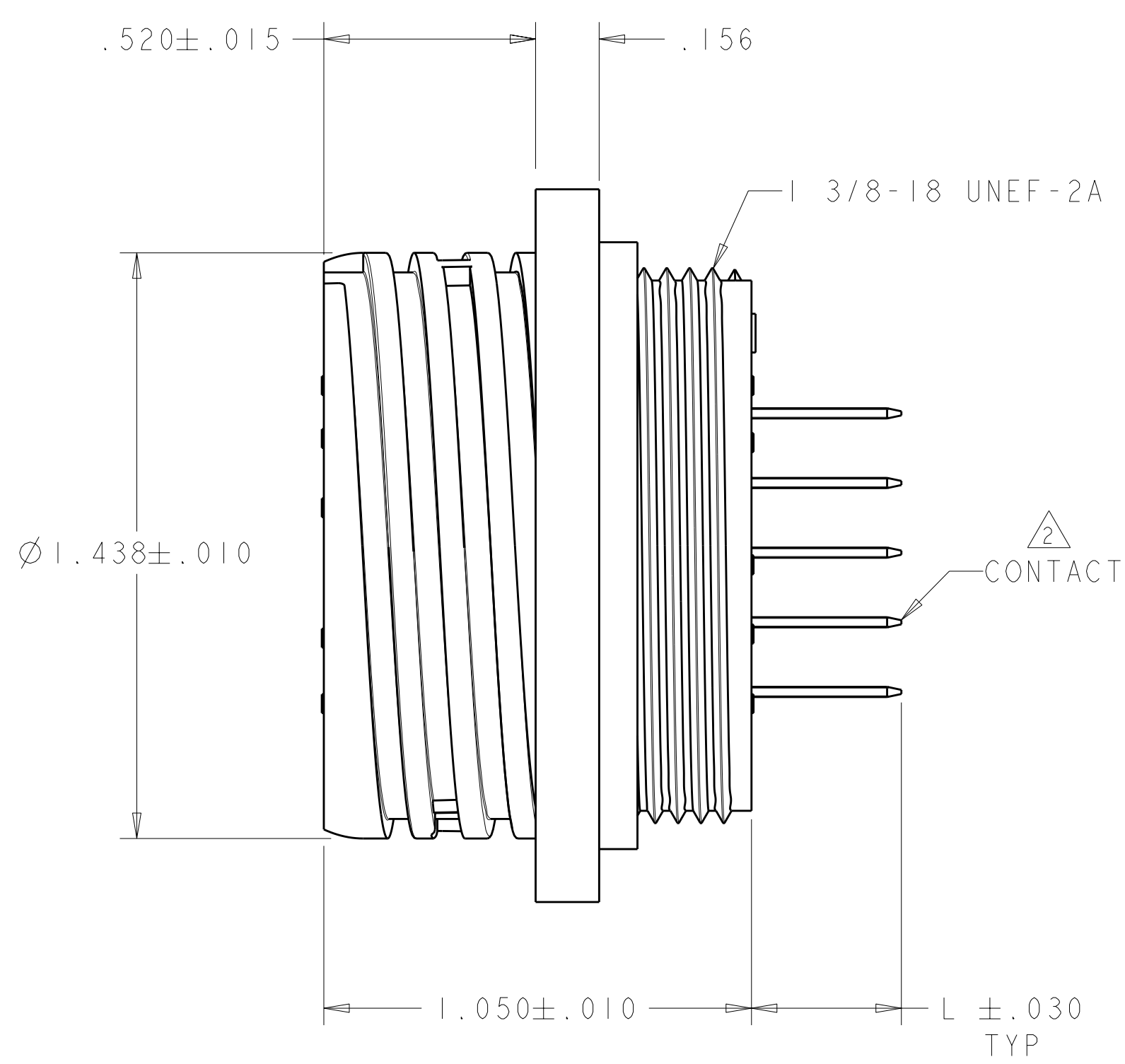
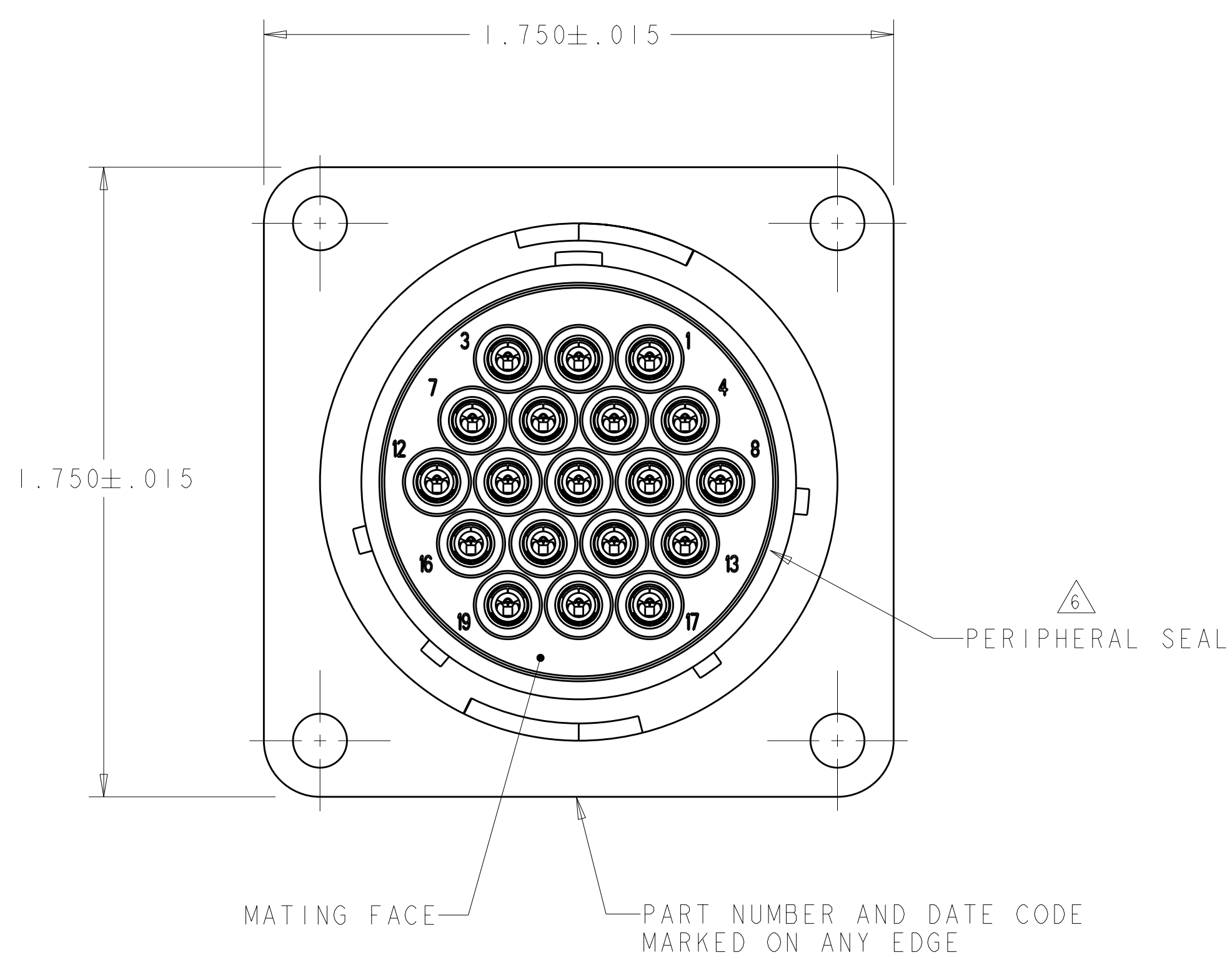


| LOC | DIST | REV | DATE | BY | CHKD | APVD |
|-----|------|-----|-----------|----|------|------|
| FT | 0 | L | 10NOV2006 | SW | SH | |
| | | LI | 15DEC2009 | WK | AE | |



DETAIL V
SCALE 20:1

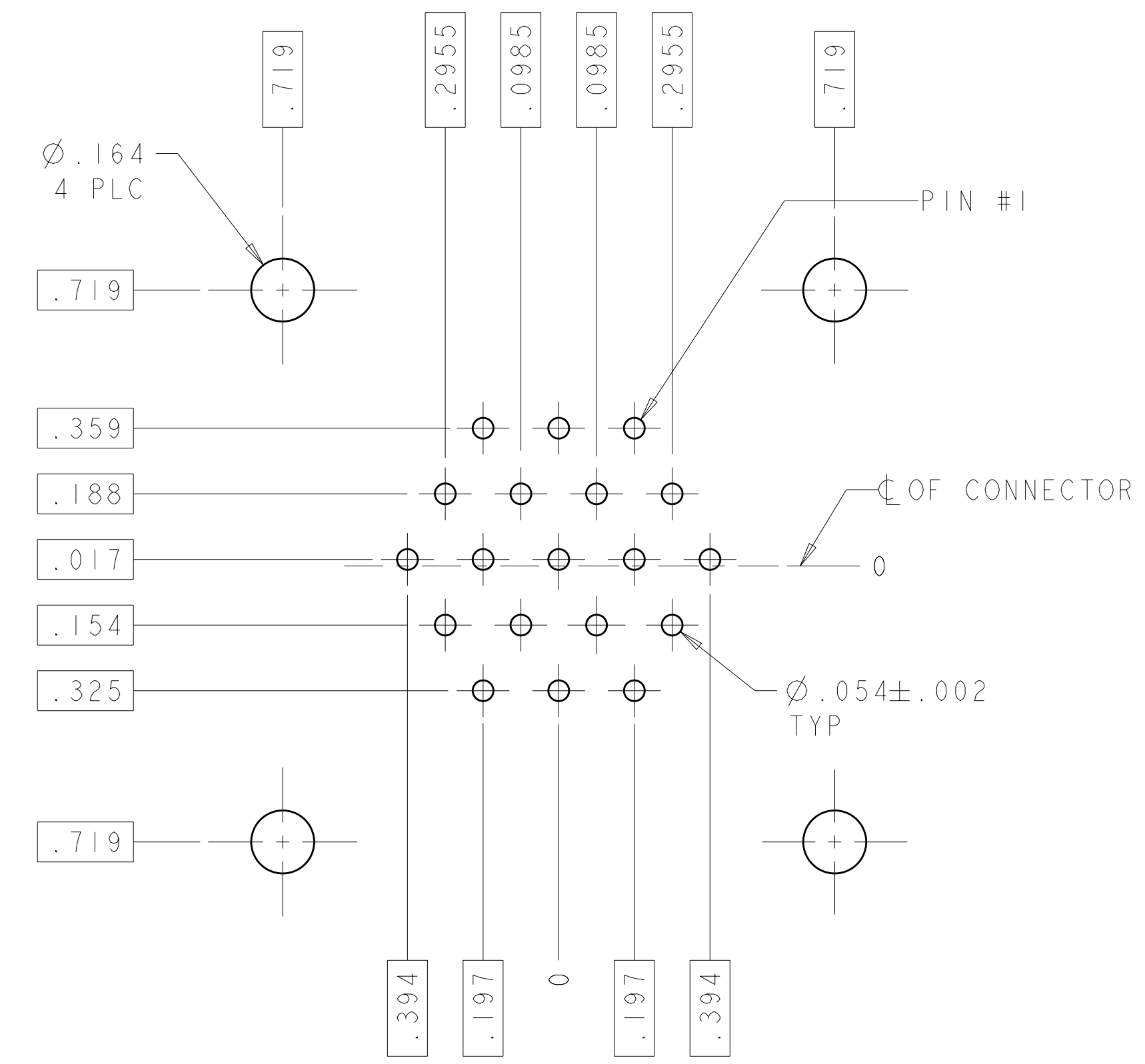
- ① HOUSING: NYLON, UL 94 V-0 RATED, COLOR: BLACK.
- ② CONTACT:
BODY - BRASS, .000100 MIN TIN-LEAD OVER .000050 MIN NICKEL.
POST - BRASS, .000100 MIN TIN-LEAD OVER .000050 MIN NICKEL.
- ③ CONTACT:
BODY - BRASS, .000100 MIN TIN-LEAD OVER .000050 MIN NICKEL.
POST - BRASS, .000030 MIN GOLD OVER .000050 MIN NICKEL.
- ④ CONTACT:
BODY - BRASS, .000030 MIN GOLD OVER .000030 MIN NICKEL.
POST - BRASS, .000100 MIN TIN-LEAD OVER .000050 MIN NICKEL.
- ⑤ CONTACT:
BODY - BRASS, .000100 MIN TIN OVER .000050 MIN NICKEL.
POST - BRASS, .000100 MIN TIN OVER .000050 MIN NICKEL.
- ⑥ PERIPHERAL SEAL - ELASTOMER, COLOR: GRAY.
- ⑦ .009 MAXIMUM CONTACT LEAD-IN SEAM GAP PERMISSIBLE ON MATING FACE END.
- ⑧ OBSOLETE PARTS: OBSOLETE C/S STREAMLINING PER D.RENAUD/D.SINISI

| CONTACT FINISH | PERIPHERAL SEAL | SELECT LOADED IN POSITIONS | PART NUMBER |
|----------------|-----------------|----------------------------|-------------|
| .368 | ⑤ | YES | ALL |
| .368 | ⑤ | YES | 1-8, 10-19 |
| .368 | ② | NO | ALL |
| .119 | ④ | NO | ALL |
| .368 | ③ | YES | ALL |
| .368 | ② | YES | 1-8, 10-19 |
| .368 | ② | YES | ALL |

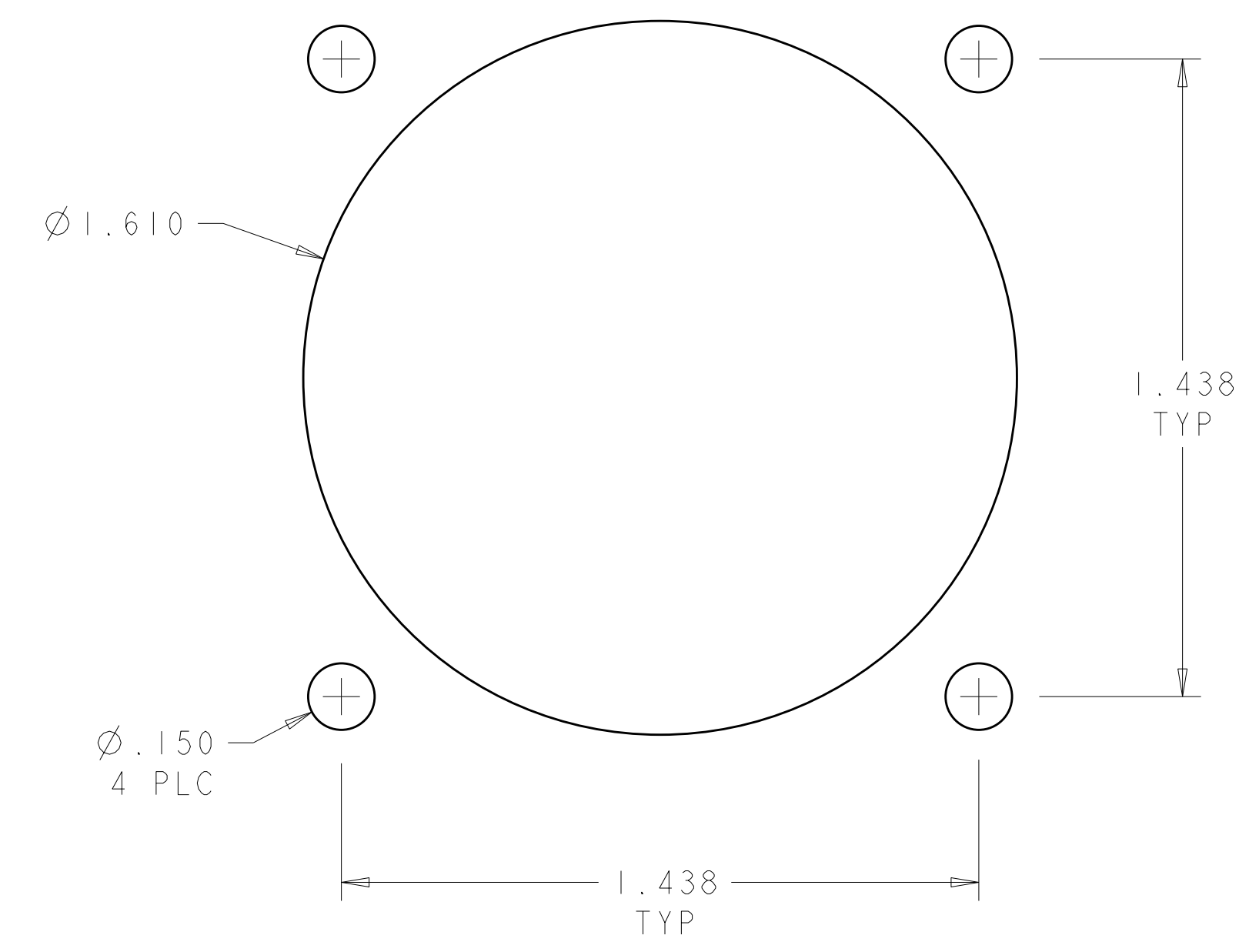
⑧ OBSOLETE

| | | | | | |
|--|--|--|--|---|--|
| DIMENSIONS: INCHES TOLERANCES UNLESS OTHERWISE SPECIFIED: 9 PLC ±.0 8 PLC ±.00 5 PLC ±.010 4 PLC ±.0000 ANGLES ±.0 | | DWN S. WELDON 21MAY2003 CHK S. HEADER 21MAY2003 APVD S. HEADER 21MAY2003 | | Tyco Electronics Harrisburg, PA 17105-3608 | |
| MATERIAL: - FINISH: - | | PRODUCT SPEC: 108-10024 APPLICATION SPEC: 114-10038 WEIGHT: - | | NAME: RECEPTACLE ASSEMBLY, POSTED, REVERSE SEX, SERIES 1, 23-19, CPC SIZE: A11 CAGE CODE: 00779 DRAWING NO: C=213827 | |
| CUSTOMER DRAWING | | SCALE 3:1 | | SHEET 1 OF 2 | |

| LOC | DIST | REVISIONS | | | |
|-----|------|-------------|------|-----|------|
| FT | 0 | REV | DATE | DWN | APVD |
| - | - | SEE SHEET 1 | - | - | - |
| | | | | | |
| | | | | | |



RECOMMENDED PC BOARD LAYOUT



RECOMMENDED PC BOARD LAYOUT
 .125 MAX PANEL THICKNESS

| | | | |
|---|--|---|---|
| <small>THIS DRAWING IS UNPUBLISHED. RELEASED FOR PUBLICATION BY TYCO ELECTRONICS CORPORATION. IT IS SUBJECT TO CHANGE WITHOUT NOTICE AND WITHOUT OBLIGATION. SHOULD BE CONTACTED FOR THE LATEST REVISION.</small> | | DWN S. WELDON 21MAY2003 CHK S. HEADER 21MAY2003 APVD S. HEADER 21MAY2003 | Tyco Electronics Harrisburg, PA 17105-3608 |
| DIMENSIONS: INCHES | TOLERANCES UNLESS OTHERWISE SPECIFIED: 9 PLC ±.000 7 PLC ±0.00 5 PLC ±0.010 4 PLC ±0.0000 ANGLES ±. | NAME RECEPTACLE ASSEMBLY, POSTED, REVERSE SEX, SERIES 1, 23-19, CPC PRODUCT SPEC - APPLICATION SPEC - WEIGHT - CUSTOMER DRAWING | SIZE CAGE CODE DRAWING NO RESTRICTED TO A 00779 C-213827 - SCALE 3:1 SHEET 2 OF 2 REV L |